



Jeoman

The Exmoor

COAL EFFECT GAS STOVE -
CONVENTIONAL FLUE



INSTALLATION, SERVICING AND USER INSTRUCTIONS

For use in Great Britain and the Republic of Ireland (GB, IE)

These instructions are to be left with the customer and should be read carefully and kept in a safe place.

They will be necessary when servicing the appliance



IMPORTANT

THIS APPLIANCE MUST ONLY BE OPENED, INSTALLED AND SERVICED BY A CORGI REGISTERED ENGINEER

Contents

<u>APPLIANCE COMMISSIONING CHECKLIST</u>	3
<u>GUARANTEE</u>	3
<u>USER INSTRUCTIONS</u>	4
<u>INSTALLATION INSTRUCTIONS</u>	8
Technical Specifications	8
Site Requirements	9
Installation	10
<u>COMMISSIONING</u>	14
<u>SERVICING INSTRUCTIONS</u>	15
Fault Finding	15
How to Replace Parts	17
Basic Spare Parts List	21
Service Records	22

APPLIANCE COMMISSIONING CHECKLIST

IMPORTANT NOTICE

Explain the operation of the stove to the end user, hand the completed instructions to them for safe keeping, as the information will be required when making any guaranteed claims.

FLUE CHECK	PASS	FAIL	
1. Flue is correct for appliance			
2. Flue flow test N/A			
3. Spillage test N/A			
GAS CHECK			
1. Gas soundness & let by test			
2. Standing pressure test	mb		
3. Appliance working pressure (on High Setting) NB All other gas appliances must be operating on full	mb		
4. Gas rate	m ³ /h		
5. Does ventilation meet appliance requirements			
6. Have controls been upgraded (Upgradeable models only)	8455 Standard	YES	NO
	8456 Programmable Thermostatic and Timer	YES	NO

DEALER AND INSTALLER INFORMATION

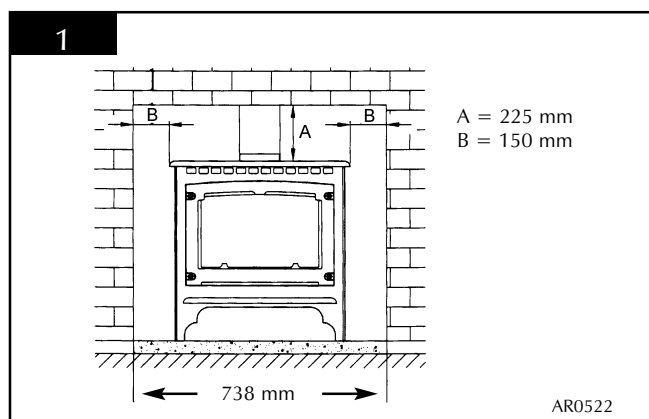
Dealer.....	Installation Company.....
Contact No.....	Engineer.....
Date of Purchase.....	Contact No.....
Model No.....	Corgi Reg No.....
Serial No.....	Date of Installation.....
Gas Type.....	

This product is guaranteed for 2 years from the date of installation, as set out in the terms and conditions of sale between Yeoman and your local Yeoman dealer. **This guarantee will be invalid, to the extent permitted by law, if the above Appliance Commissioning Checklist is not fully completed by the installer and available for inspection by a Yeoman engineer.** The guarantee will only be valid during the second year, to the extent permitted by law, if the annual service recommended in the Instructions for Use has been completed by a Corgi registered engineer, and a copy of the service visit report is available for inspection by a Yeoman engineer.

USER INSTRUCTIONS

1. GENERAL

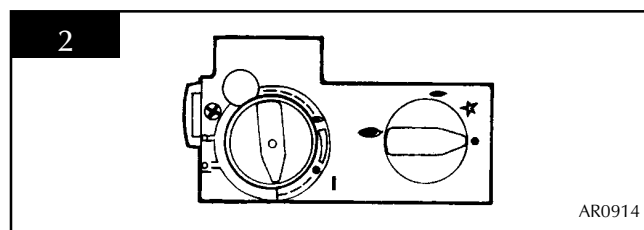
- 1.1 A competent person must carry out installation and servicing.
- 1.2 In all correspondence, please quote the appliance type and serial number, which can be found on the databadge located on a tag/chain behind the appliance.
- 1.3 Ensure that curtains are not positioned above the appliance and there is at least 300mm between the sides of the appliance and any curtains.
- 1.4 If any cracks appear in the glass panel do not use the appliance until the panel has been replaced.
- 1.5 This product is guaranteed for 2 years from the date of installation, as set out in the terms and conditions of sale between Yeoman and your local Yeoman dealer. Please consult with your local Yeoman dealer if you have any questions. In all correspondence always quote the Model Number and Serial Number.
- 1.6 Any combustible shelves or surrounding furniture must only be fitted in accordance with the minimum dimensions detailed in diagram 1.



- 1.7 Contact a competent service engineer to carry out relevant spillage checks etc. following home improvements carried out after installation of this stove (e.g. the fitting of double glazing).

2. LIGHTING THE STOVE

- 2.1 The controls are at the lower right of the stove:
 - the right-hand knob ignites the pilot
 - the left-hand knob controls the main burner
- 2.2 If you have upgraded your stove to operate with remote control, you must have the pilot lit before you can use the remote (see Section 4 below)
 - Use the following instructions to light the pilot



Pilot Ignition

- Ensure the left-hand control knob is pointing to off (●)
 - Ensure the right-hand control knob is pointing to off (●)
 - Press in the right-hand control knob and rotate it left until a click is heard
 - Keep pressing in and the knob is pointing to pilot (☞)
- The pilot should now light. If the pilot has not lit, repeat the procedure until it lights
- Hold the control knob pressed in for 10 seconds and then release it
- The pilot stays lit. If the pilot goes out, repeat the steps.

Regulating the Main Burner

- 2.3 Turn the right-hand control to main burner (☞).
The temperature and flame height is now controlled by left-hand knob
 - Turn the left-hand knob to low fire (☞) to light the main burner. Turn the knob anticlockwise to increase the flame height and clockwise to decrease the flame height.

THE YELLOW FLAMES APPEAR WHEN THE FIRE HAS REACHED SUFFICIENT HEAT - TYPICALLY 10 TO 20 MINUTES.

- 2.4 If the pilot flame is extinguished, intentionally or unintentionally, do not relight the stove for at least 3 minutes.

3. TURNING THE STOVE OFF

- 3.1 To turn the burner off,
 - turn the left-hand control knob to point to off (●)The main burner goes out leaving the pilot burning.
- 3.2 To turn the pilot off:
 - turn the right-hand control knob to point to off (●)

4. UPGRADING YOUR STOVE

- 4.1 Your stove is fitted with a control valve that can be upgraded to battery powered Remote Control. This upgrade can be fitted by anyone capable of simple DIY jobs. Your Yeoman dealer keeps two versions of the remote:

USER INSTRUCTIONS

4.2 STANDARD REMOTE CONTROL (Yeoman PART NUMBER YM-A8455)

This remote controls the gas stove after the pilot has been lit to:

- Turn on the main burner
- Regulate the flame from low to high and back
- Turn off the burner leaving just the pilot burning

4.3 THERMOSTATIC AND TIMER REMOTE CONTROL (Yeoman PART NUMBER YM-8456)

This remote controls the gas stove after the pilot has been lit. In 'MANUAL MODE' you can:

- Turn on the main burner
- Regulate the flame from low to high and back
- Turn off the burner leaving just the pilot burning

In 'AUTO MODE' you can:

- Set the room temperature so the stove automatically maintains that temperature

In 'TIMER MODE' the stove:

- Turns on and off according to the set time periods
- Automatically regulates the room temperature during the set periods

NOTE: WHEN OPERATING THE FIRE IN TEMP OR TIMER MODE, THE PILOT REMAINS LIT AND THE FIRE THEN AUTOMATICALLY SWITCHES ON AT PROGRAMMED TIMES TO BRING THE ROOM TO THE SET TEMPERATURE WHETHER OR NOT YOU ARE IN THE ROOM.

NEVER LEAVE ANY COMBUSTIBLE MATERIALS WITHIN 1 METRE OF THE FRONT OF THE APPLIANCE.

Advice on Handling and disposal of fire ceramics

The fuel effect and side panels in this stove are made from Refractory Ceramic Fibre (RCF), a material commonly used for this stove.

Protective clothing is not required when handling these articles, but we recommend you follow normal hygiene rules of not smoking, eating or drinking in the work area and always wash your hands before eating or drinking.

During installation and servicing a HEPA filtered vacuum is recommended to remove any dust accumulated in and around the stove before and after working on it to reduce RCF fibres. On servicing the stove we recommend any replaced items are not broken up, but are sealed within heavy duty polythene bags and labelled as RCF waste.

RCF waste is classed as stable, non-reactive hazardous waste and may be disposed of at a licensed landfill site.

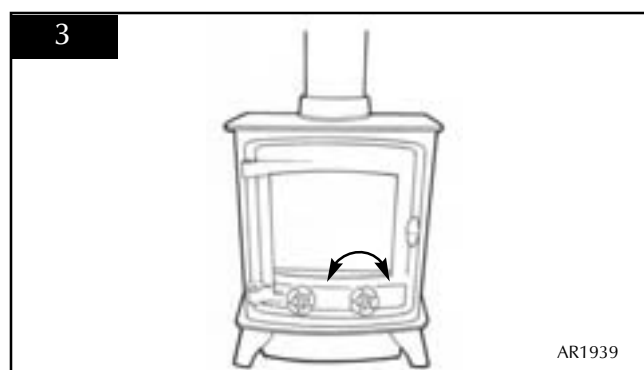
Excessive exposure to these materials may cause temporary irritation to eyes, skin and respiratory tract; wash hands thoroughly after handling the material.

5. CLEANING THE FIRE

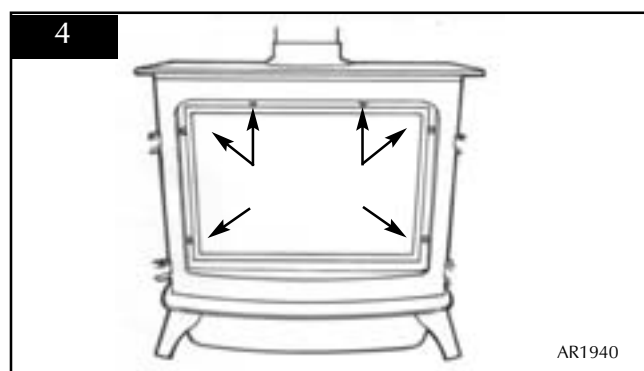
WARNING: DO NOT ATTEMPT TO CLEAN THE STOVE UNTIL IT IS COLD. THE STOVE RETAINS ITS HEAT FOR A CONSIDERABLE TIME AFTER SHUTDOWN.

NOTE: THE CAST IRON DOOR IS HEAVY, TAKE EXTREME CARE WHEN HANDLING.

- 5.1 To open the door and access the interior:
- Turn the right-hand rosette 90°, Diagram 3
 - Pull the door open



- Remove the door casting assembly by removing the two hinge pins and lifting the door above the hinge blocks
- Remove the glass frame by undoing the six screws
- Carefully lift the frame clear



- Remove the ceramic fuel bed components and place to one side

You must protect floor covers and **handle the ceramic coals with care**

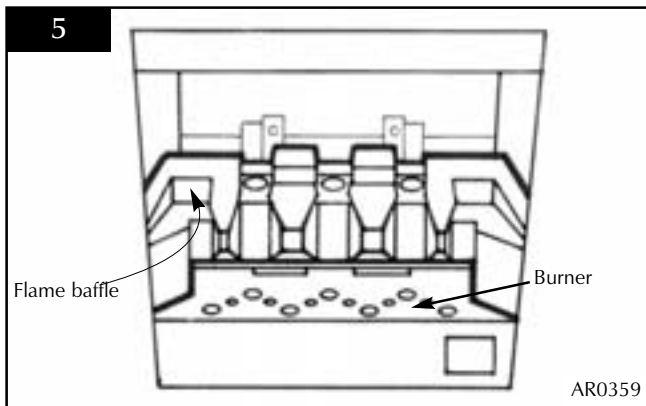
- 5.3 The coals should not require cleaning:
- Do not use a vacuum cleaner or brush to clean the coals
 - Remove any large debris by hand
 - Make sure no debris blocks the burner ports
- 5.5 See Section 6 to replace the ceramic coals.
- 5.6 Use a damp cloth to clean the outer casing of the stove.

USER INSTRUCTIONS

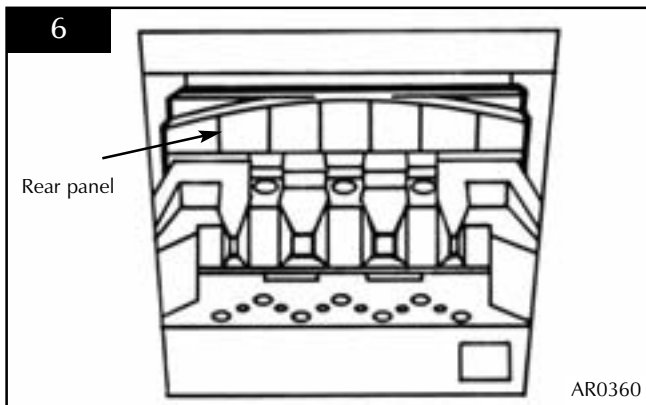
6. FUEL BED ARRANGEMENT

- Open the door as set out in Section 5 above
 - Arrange the coals following the steps below.
- Take care to leave sufficient space between the coals to allow flames to pass through.**

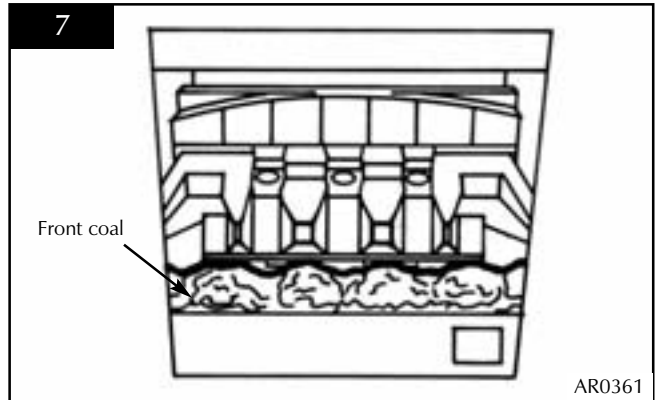
- 6.1
- Place the flame baffle onto the burner:
 - Push up against the rear tray lip, Diagram 5



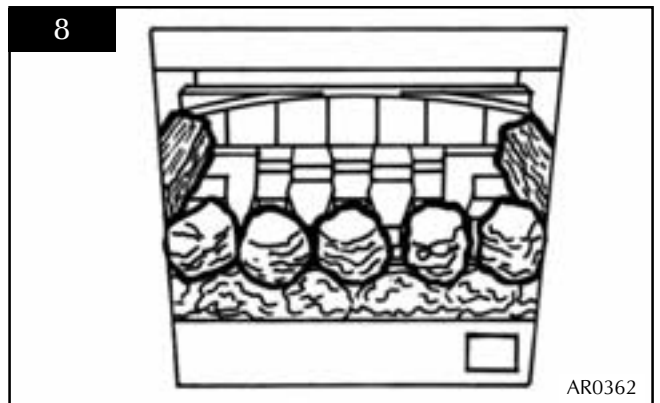
- 6.2
- Put the rear panel back to the spacer brackets
 - Slide down so that it locates on the ledge of the flame baffle, Diagram 6



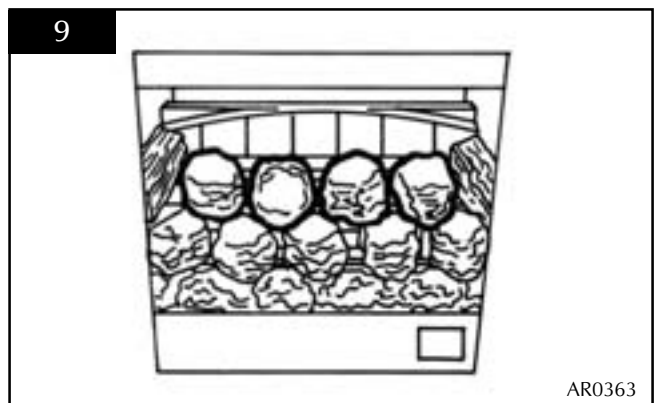
- 6.3
- Put the front coal between the heat shield and flame baffle
 - Sit it on the burner with the flat side against the shield, Diagram 7



- 6.4
- Place five of the loose round coals on the front coal in between the fingers of the flame baffle
 - Put the two rectangular coals against each side and towards the back of the stove interior, Diagram 8



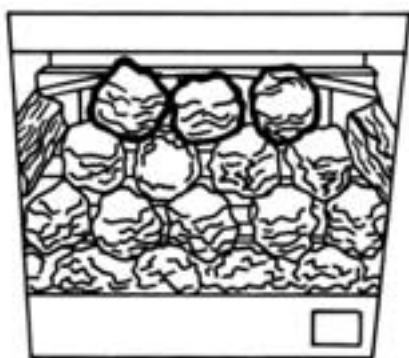
- 6.5
- Sit four of the round coals behind the first row and on top of the fingers
 - Make sure two outer coals touch the rectangular coals, Diagram 9



- 6.6
- Put the remaining three coals behind the last row to touch the back panel, Diagram 10

USER INSTRUCTIONS

10



AR0364

- 6.7
- Replace the glass frame
 - Tighten the six screws
- 6.8
- Push the door closed
 - Turn the right-hand rosette until the catch holds the door firm

NEVER OPERATE THE STOVE WHEN THE DOOR IS OPEN OR WHEN THE GLASS IS BROKEN.

7. GAZCO FLUE SURE SYSTEM

The stove is fitted with the Gazco Flue Sure System, which cuts off the gas supply to the burner if the flue does not operate correctly. This means there is insufficient flue pull. If this happens, wait 10 minutes before trying to relight. Repeated shutdown may indicate a serious problem with the flue system and you must ask a qualified gas engineer to inspect the system. **Do not use the stove until an engineer says it is safe to do so.**

8. THE FLAME FAILURE DEVICE

This is a safety feature incorporated in all Yeoman stoves to automatically switch off the gas supply if the pilot light goes out and fails to heat the thermocouple.

9. 'RUNNING IN'

The surface coating on your Yeoman stove 'burns off' during the first 24 hours of operation on high, producing a harmless and temporary odour. If the odour persists ask your retailer for advice.

10. SERVICING

A qualified gas engineer must service the stove every 12 months. In all correspondence, always quote the stove type and the Serial Number found on the data badge on the stove.

11. VENTILATION

Any purpose provided ventilation should be checked periodically to ensure it is free from obstruction.

12. INSTALLATION DETAILS

To assist in any future correspondence, your installer should have completed the Appliance Commissioning Checklist in this manual. This records the essential installation details of this stove. In all correspondence always quote the Model No. and Serial No.

13. HOT SURFACES

Parts of this stove become hot during normal use. It is recommended that a suitable fire guard be used for protection of young children and the infirm. Indeed, all parts of the stove should be treated as a 'working surface' except for the control area.

INSTALLATION INSTRUCTIONS

TECHNICAL SPECIFICATION

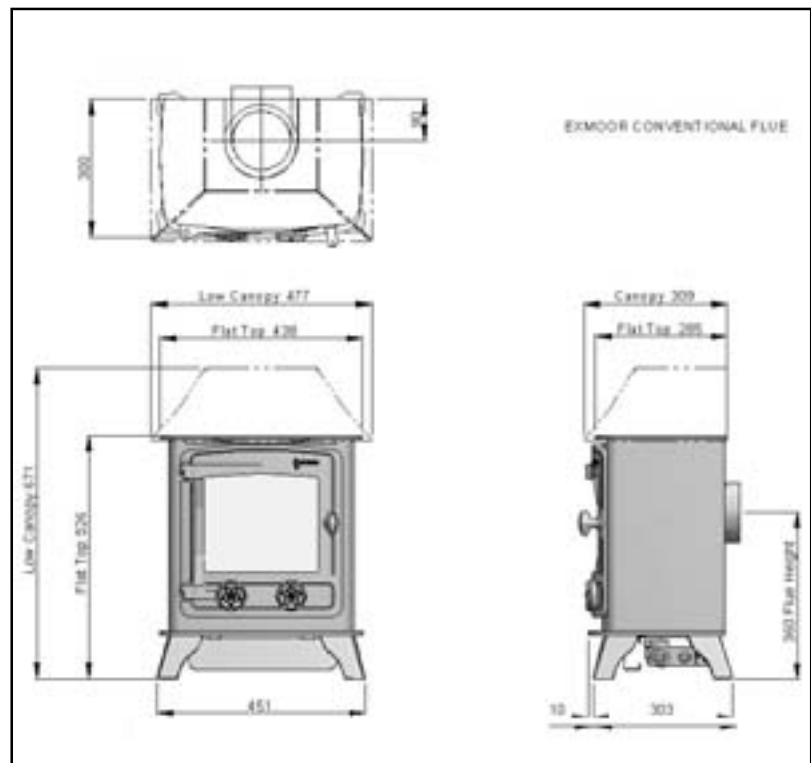
Model CAT.	Gas	Gas Type	Working Pressure	Aeration	Injector	Gas Rate m ³ /h	Input kW (Gross)		Country
							High	Low	
Exmoor YM-N9001CFMCUC YM-N9001CFMCUCLC	I _{2H}	Natural Gas G20	20 mbar	ø7 mm	260	0.437	4.6 Gross	2.5 Gross	GB,IE
Exmoor YM-N9001CFMCUC YM-N9001CFMCUCLC	I ₃₊	LPG Propane G31 LPG Butane G30	37 mbar 29 mbar	ø13 mm	120	0.163 0.125	4.5 Gross	2.5 Gross	GB,IE
Efficiency Class II Flue Outlet Size 127 mm (5") ø Gas Inlet Connection Size 8 mm ø									
Minimum flue specification T260/N2/O/D/1									
Maximum flue temperature 180°C									

Packing Checklist

Qty Description

- 1 Stove
- 1 Flue Blanking plate
- 1 Flue In fill plate
- 1 Coal set*
- 1 Flame Baffle*
- 1 Front Coal*
- 1 Fixing kit containing
- 1 Instruction Manual
- 2 Wood screws
- 2 Rawlplugs
- 1 Box spanner

*Packed in stove



INSTALLATION INSTRUCTIONS

SITE REQUIREMENTS

1. FLUE AND CHIMNEY REQUIREMENTS

The flue must be installed in accordance with all local and national regulations and the current rules in force.

- 1.1 The chimney or flue system must be a minimum of 127mm in diameter. (5").
- 1.2 The minimum height of the flue or chimney must be 3 metres (10ft). Any horizontal flue run from the rear outlet must not exceed 100mm from the back of the stove.
- 1.3 The chimney or flue must be free from any obstruction. Any damper plates should be removed or secured in the fully open position, and no restrictor plates should be fitted.
- 1.4 The chimney should be swept immediately prior to the installation of the stove - unless you can see it is clean and there are no obstructions throughout its entire length.
- 1.5 If it is intended to fit the stove into a existing brick built chimney, a 5" (127mm) liner must be used. Larger lined flues may work, but in some instances could cause cold start flue problems resulting in nuisance shutdown. Lined flues above 7" (175mm) are not recommended.
- 1.6 Due to recent changes to European chimney standards, new flue's and chimney's are now described by their temperature, pressure and resistance to corrosion, condensation and fire. To assist in identifying the correct flue system, the minimum flue specification is shown in the technical specification on page 8 of this book. Existing chimney's are not covered by this system.

2. VENTILATION

- 2.1 This stove has a rated output below 7kW and does not normally require any additional ventilation.

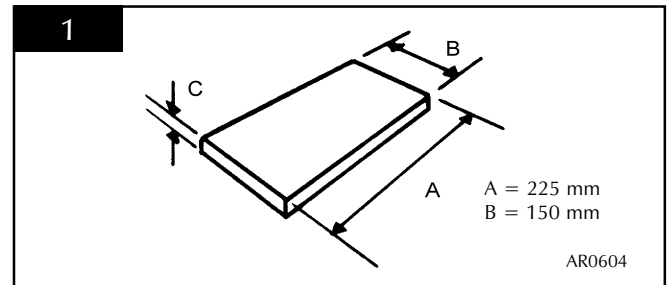
3. INSTALLATION OF THE GAS SUPPLY

This appliance is intended for use on a gas installation with a governed meter.

- 3.1 Before installation, ensure the local distribution conditions (identification of the type of gas and pressure) and the adjustment of the stove are compatible.
- 3.2 Ensure that the gas supply is capable of delivering the required amount of gas, and is in accordance with the rules in force.
- 3.3 Soft copper tubing and soft soldered joints can be used but must not be closer than 50mm to the base of the tray.
- 3.4 An independent means of isolating the gas pipe must be provided before the gas supply enters the stove.
- 3.5 Before connecting to the stove all supply gas pipes must be purged of any debris.

4. STOVE LOCATION

- 4.1 This stove must stand on a non-combustible hearth that is at least 12mm thick, and projects 50mm minimum from the base of the stove in all directions, Diagram 1

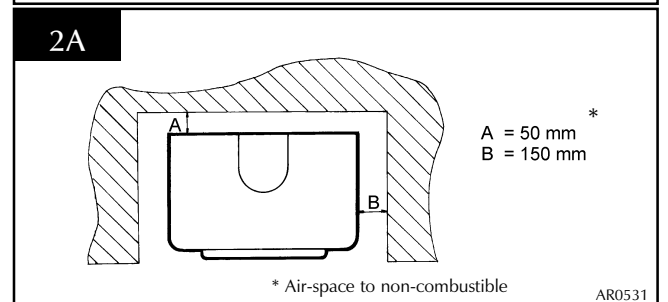
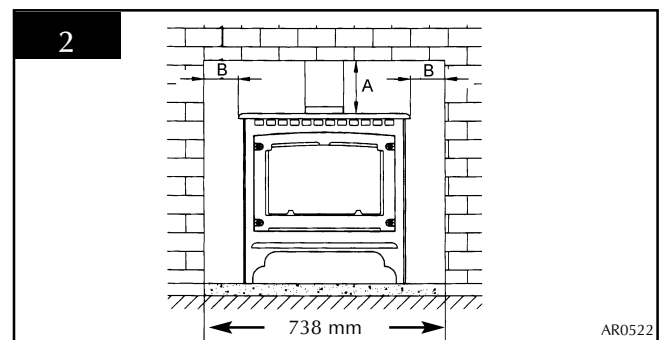


- 4.2 Do not install in a room that contains a bath or shower.

MINIMUM CLEARANCE

- 4.3 There must be NO combustible materials within the minimum clearance measurements shown in Diagrams 2 and 2A.

These dimensions give adequate space at the side and rear to reach the controls.



IMPORTANT: ENSURE THAT THE STOVE IS CORRECTLY ADJUSTED FOR THE GAS TYPE AND CATEGORY APPLICABLE IN THE COUNTRY OF USE. REFER TO DATABADGE AND TECHNICAL SPECIFICATIONS OF THIS BOOKLET.

FOR DETAILS OF CHANGING BETWEEN GAS TYPES REFER TO *SERVICING INSTRUCTIONS, REPLACING PARTS.*

INSTALLATION INSTRUCTIONS

INSTALLATION

1. CONTROL UPGRADE

- 1.1 Your stove is fitted with a control valve that can be upgraded to battery powered Remote Control. This upgrade can be fitted by anyone capable of simple DIY jobs. Your Yeoman dealer keeps two versions of the remote:
- 1.2 **STANDARD REMOTE CONTROL (Yeoman PART NUMBER YM-8455)**
This remote controls the gas stove after the pilot has been lit to:
- turn on the main burner
 - regulate the flame from low to high and back
 - turn off the burner leaving just the pilot burning
- 1.3 **THERMOSTATIC AND TIMER REMOTE CONTROL (Yeoman PART NUMBER YM-8456)**
This remote controls the gas stove after the pilot has been lit. In 'MANUAL MODE' you can:
- turn on the main burner
 - regulate the flame from low to high and back
 - turn off the burner leaving just the pilot burning
- In 'AUTO MODE' you can:
- set the room temperature so the stove automatically maintains that temperature
- In 'TIMER MODE' the stove:
- turns on and off according to the set time periods
 - automatically regulates the room temperature during the set periods

2. SAFETY PRECAUTIONS

- 2.1 For your own and other's safety, you must install this stove according to local and national codes of practice. Failure to install the stove correctly could lead to prosecution:
- Read these instructions before installing and using this stove.
- 2.2 All the instructions must be left intact with the user.
- 2.3 Make sure you install the stove in a sufficiently ventilated space.
- 2.4 This stove is intended for use on a governed gas installation and set to the required pressure.
- 2.5 Keep all plastic bags away from young children.
- 2.6 Do not place any object on or near the stove and allow adequate clearance above the stove. See diagram 2 and 2A, Site Requirements.
- 2.7 The stove is fitted with the Gazco Flue Sure System which cuts off the gas supply to the burner if the flue does not operate correctly. This means there may be insufficient flue pull. If this happens, wait 10 before trying to relight. Repeated shutdown may indicate a serious problem. You must investigate both the flue and the Flue Sure device - refer to *Servicing Instructions, Replacing Parts, Section 3.*

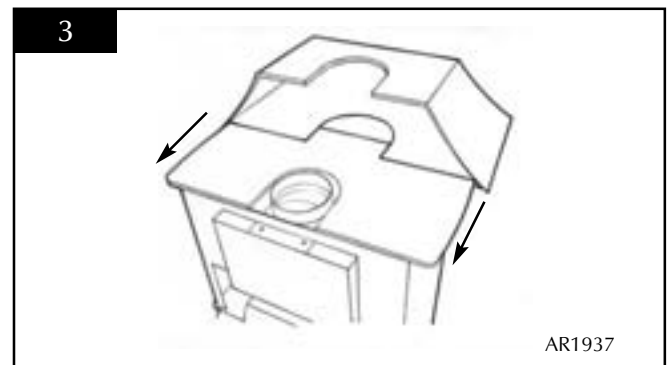
3. INSTALLATION OF THE STOVE

Flue Pipe Installation

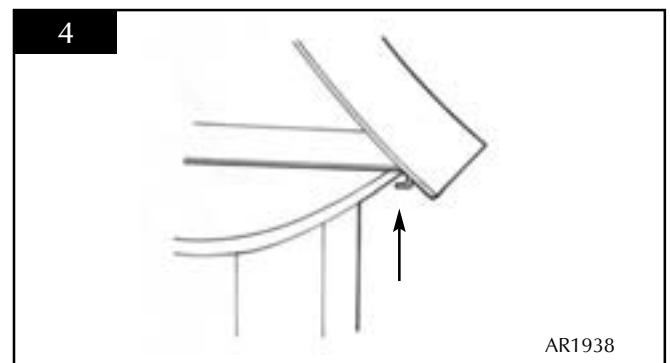
- 3.1
- Unpack the accessories carton and stove unit
 - Decide upon top or rear flue exit. The stove is factory built for rear flue exit, but it can be changed to top exit by:
3.1.1 - Removing the flue spigot from the rear of the stove
 - Replacing it with the blanking plate from the top of the stove
 - Put the flue spigot on the top of the stove
- 3.2
- Position the stove observing all clearance measurements
 - Adjust the balance of the stove using the bolts in the legs to make it level

Canopy Fitting

- 3.3 **To fit the canopy to the top of the stove:**
- Slide the canopy over the top plate, **Diagram 3**



- Make sure the stove top fits into the guide along the bottom of the canopy, **Diagram 4**



- Ensure the canopy sits square on top of the stove and the flue centres line up
- Push the canopy back until it hits the stop
- Make sure the canopy sits square on top of the stove

INSTALLATION INSTRUCTIONS

INSTALLATION

4. GAS SUPPLY

- 4.4
- Run the gas supply to the stove and **PURGE THE SUPPLY PIPE** This is essential to expel any debris that may block the gas controls.
 - Connect the gas supply to the 8mm-compression elbow at the right-hand rear corner of the stove
 - Check the gas soundness up to the gas inlet connection
 - Check the pull of the flue system by applying a lighted smoke pellet to the flue system opening. If there is a definite flow into the chimney, carry on with the installation. If not, repeat after warming the chimney for a few minutes.

IF THERE IS STILL NO DEFINITE FLOW, THE FLUE MAY REQUIRE ATTENTION - SEEK EXPERT ADVICE

- 4.5
- The flue system can now be connected to the stove:
- Make sure all joints are sealed with a suitable fire resistant sealant. We advise you to use a physical retention method at the flue spigot joint using self-tapping screws.
- 4.6
- Connect a suitable pressure gauge to the test point on the inlet fitting and turn on the gas
 - Light the stove and check all gas joints for gas soundness
 - Turn the stove to maximum and check the supply pressure is as stated on the databadge
 - Turn off the gas and replace the test point screw
 - Turn on the gas and check the test point for gas soundness

Advice on Handling and disposal of fire ceramics

The fuel effect and side panels in this stove are made from Refractory Ceramic Fibre (RCF), a material which is commonly used for this application.

Protective clothing is not required when handling these articles, but we recommend you follow normal hygiene rules of not smoking, eating or drinking in the work area and always wash your hands before eating or drinking.

To ensure that the release of RCF fibres are kept to a minimum, during installation and servicing a HEPA filtered vacuum is recommended to remove any dust accumulated in and around the stove before and after working on it. When servicing the stove it is recommended that the replaced items are not broken up, but are sealed within heavy duty polythene bags and labelled as RCF waste.

RCF waste is classed as stable, non-reactive hazardous waste and may be disposed of at a licensed landfill site.

Excessive exposure to these materials may cause temporary irritation to eyes, skin and respiratory tract; wash hands thoroughly after handling the material.

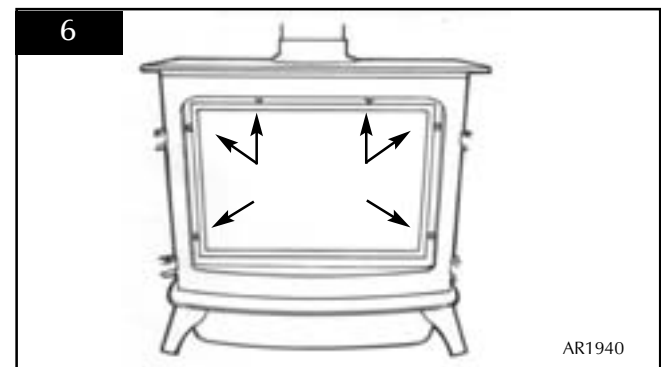
5. FUEL BED ARRANGEMENT

The major ceramic components can be found inside the firebox.

- 5.1
- To open the door and access the interior:
- Turn the right-hand rosette, Diagram 5
 - Pull the door open



- Remove the glass frame by undoing the six screws
- Carefully lift the frame clear



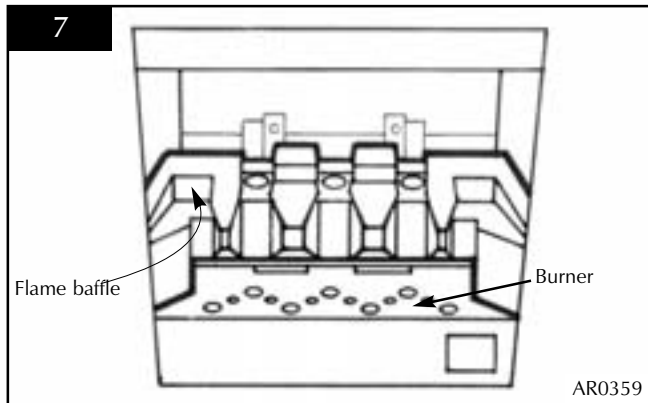
- Arrange the coals following the steps below.

Take care to leave sufficient space between the coals to allow flames to pass through.

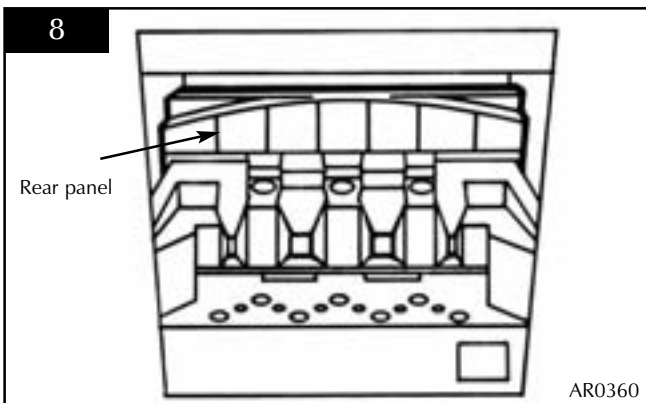
INSTALLATION INSTRUCTIONS

INSTALLATION

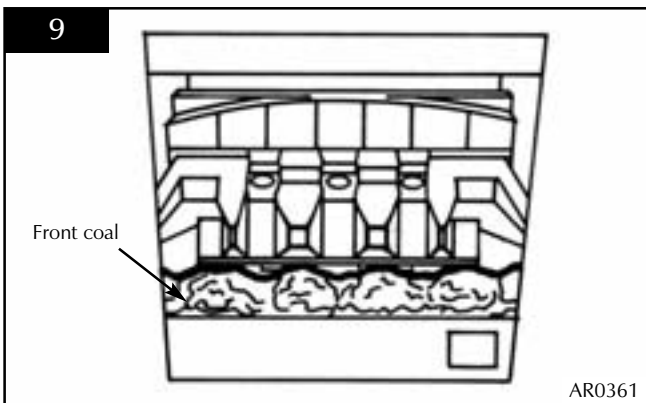
- 5.2
- Place the flame baffle onto the burner:
 - Push up against the rear tray lip, see diagram 7



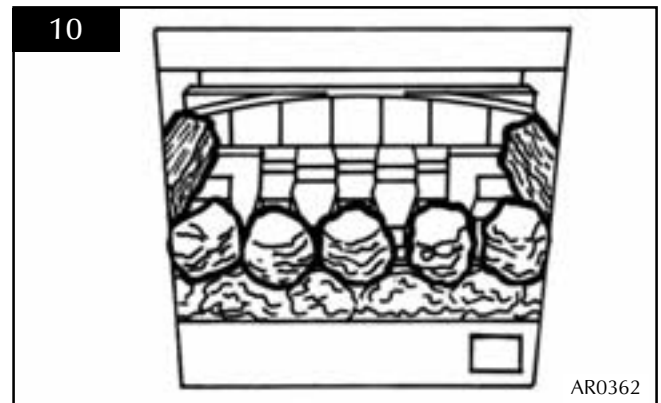
- 5.3
- Put the rear panel back to the spacer brackets
 - Slide down so that it locates on the ledge of the flame baffle, see diagram 8



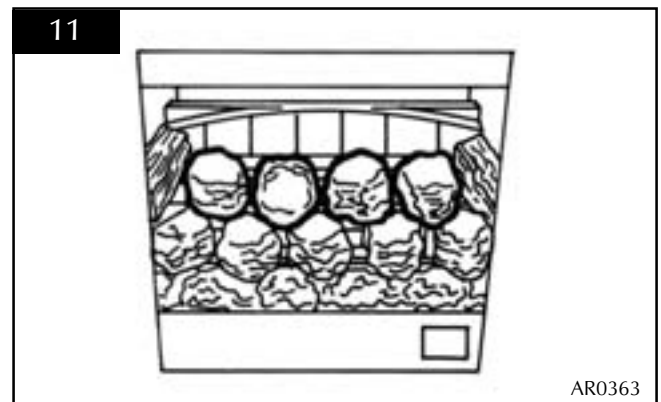
- 5.4
- Put the front coal between the heat shield and flame baffle
- Sit it on the burner with the flat side against the shield, see diagram 9



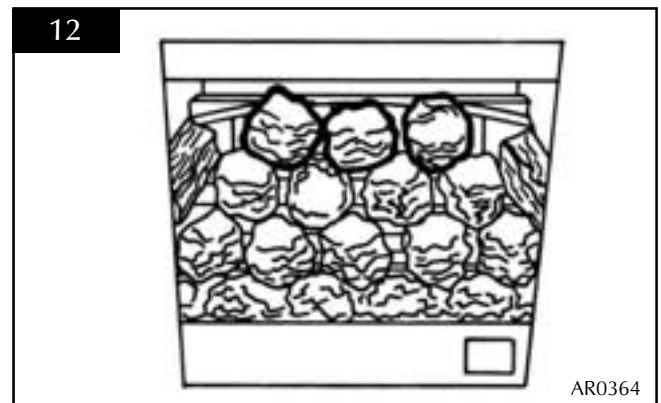
- 5.5
- Place five of the loose round coals on the front coal in between the fingers of the flame baffle
 - Put the two rectangular coals against each side and towards the back of the stove interior, see diagram 10



- 5.6
- Sit four of the round coals behind the first row and on top of the fingers
 - Make sure two outer coals touch the rectangular coals, see diagram 11



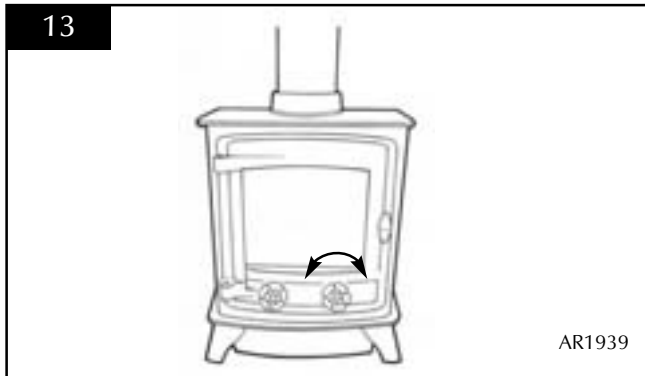
- 5.7
- Put the remaining three coals behind the last row to touch the back panel, see diagram 12



INSTALLATION INSTRUCTIONS

INSTALLATION

- 5.8
- Replace the glass frame
 - Tighten the six screws
- 5.9
- Push the door closed
 - Turn the right-hand rosette until the catch holds the door firm



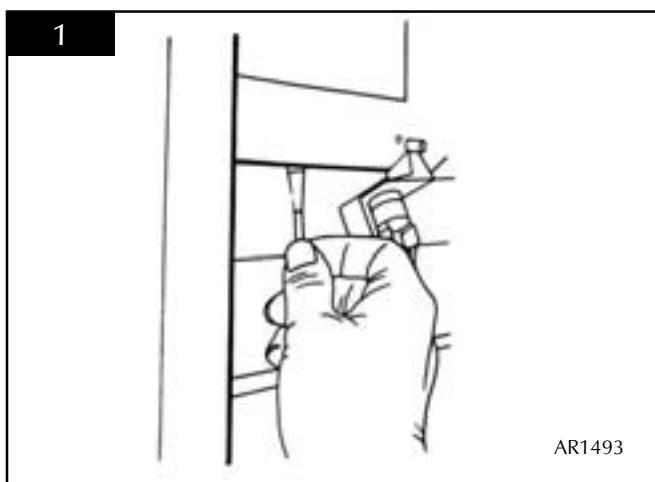
NEVER OPERATE THE STOVE WHEN THE DOOR IS REMOVED OR WHEN THE GLASS IS BROKEN.

INSTALLATION INSTRUCTIONS

COMMISSIONING

1. COMMISSIONING

- 1.1
- Close all doors and windows in the room
 - Light the stove and leave for maximum for 10 minutes
 - Position a lighted smoke match just inside the draught diverter opening
 - Check all smoke is drawn into the opening, see diagram 1.
- If there is any doubt, run the stove for a further 10 minutes, and repeat the test.



- 1.2 If there are any extractor fans in adjacent rooms:
- Repeat the test with the fans running on maximum and interconnecting doors open
- IF SPILLAGE PERSISTS, DISCONNECT THE STOVE AND SEEK EXPERT ADVICE.**
- For future reference record the installation details on the Appliance Commissioning Checklist of these instructions.

SERVICING INSTRUCTIONS

SERVICING/FAULT FINDING

1. SERVICING REQUIREMENTS

This stove must be serviced at least once a year by a competent person.

All tests must be serviced by best practice as described by the current CORGI recommendations.

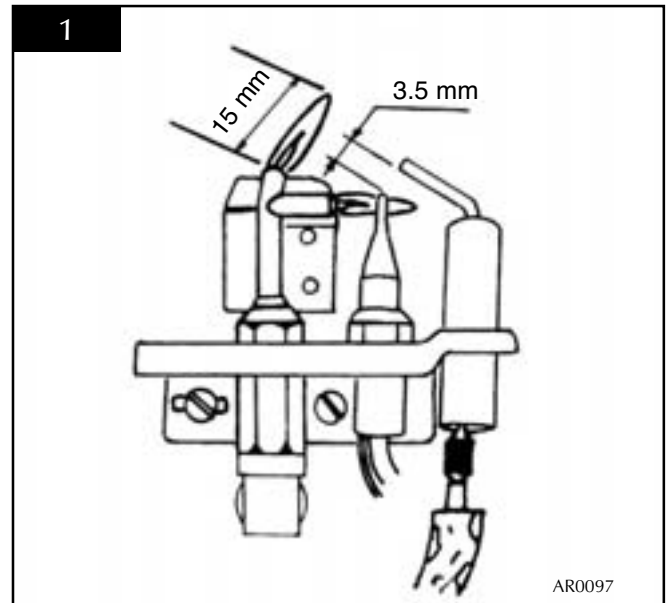
Refer to ADVICE ON HANDLING AND DISPOSAL OF FIRE CERAMICS In *Installation Instructions* section 5

- 1.1 Before any tests are undertaken on the stove:
- Conduct a gas soundness test for the property to ensure there are no gas leaks prior to starting work.
- 1.2
- Fully check the operation of the stove

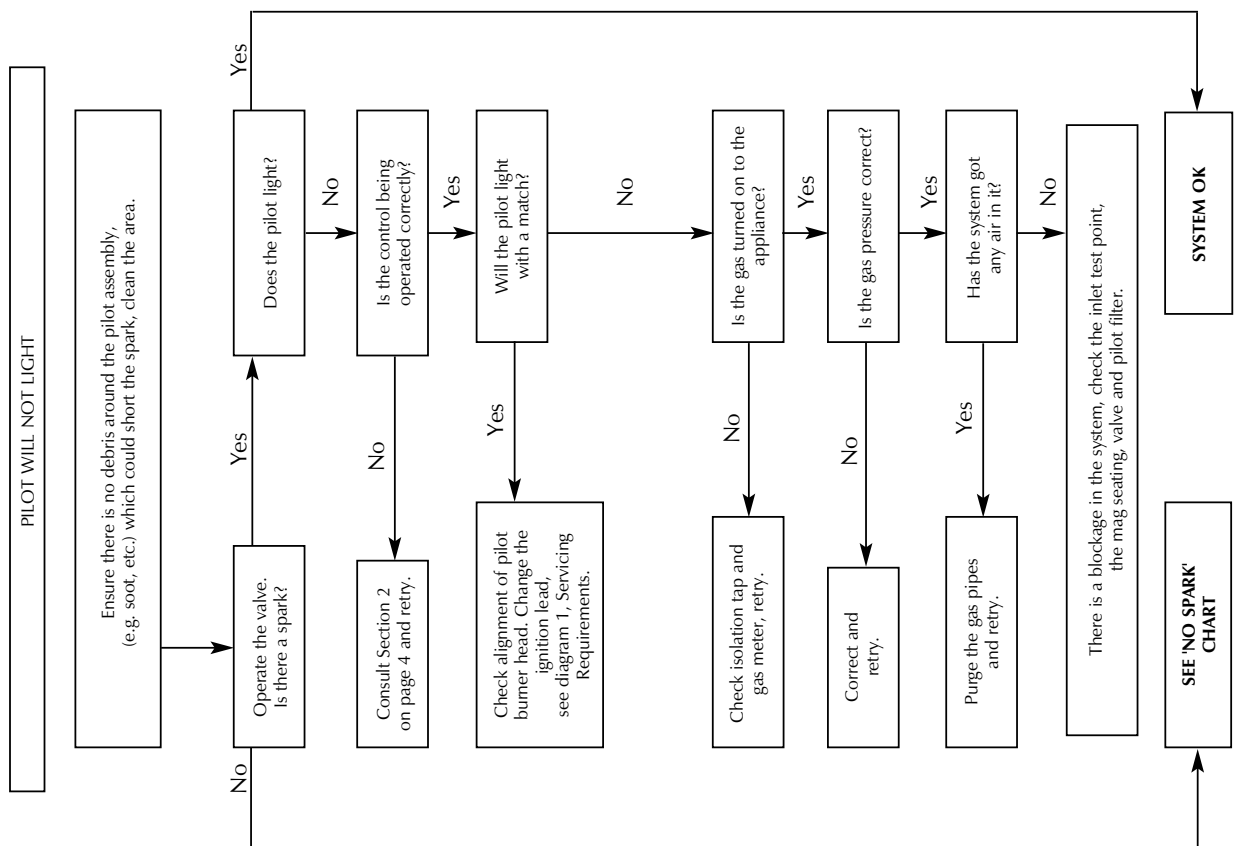
Special checks

- 1.2.1 Clean any lint or fluff from the pilot - pay particular attention to the aeration hole in the side of the pilot
- 1.2.2 Clean away any fluff or lint from under the burner
- 1.2.3 Check the spark gap on the pilot is correct
- Correct any faults found during the initial tests
 - Re-commission the stove conducting the usual safety checks

- 1.3 Advise the customer of any remedial action taken.



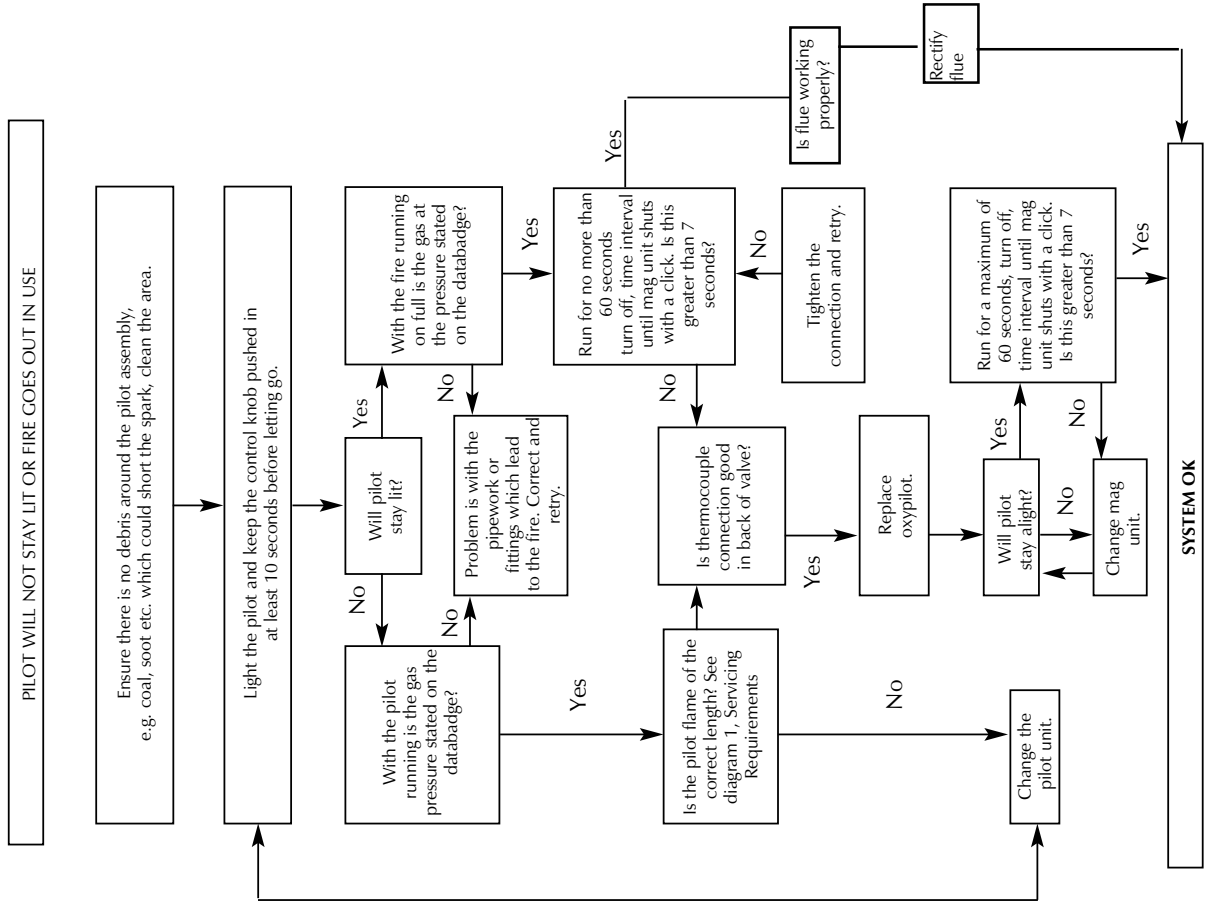
IGNITION FUNCTIONAL CHECK 1



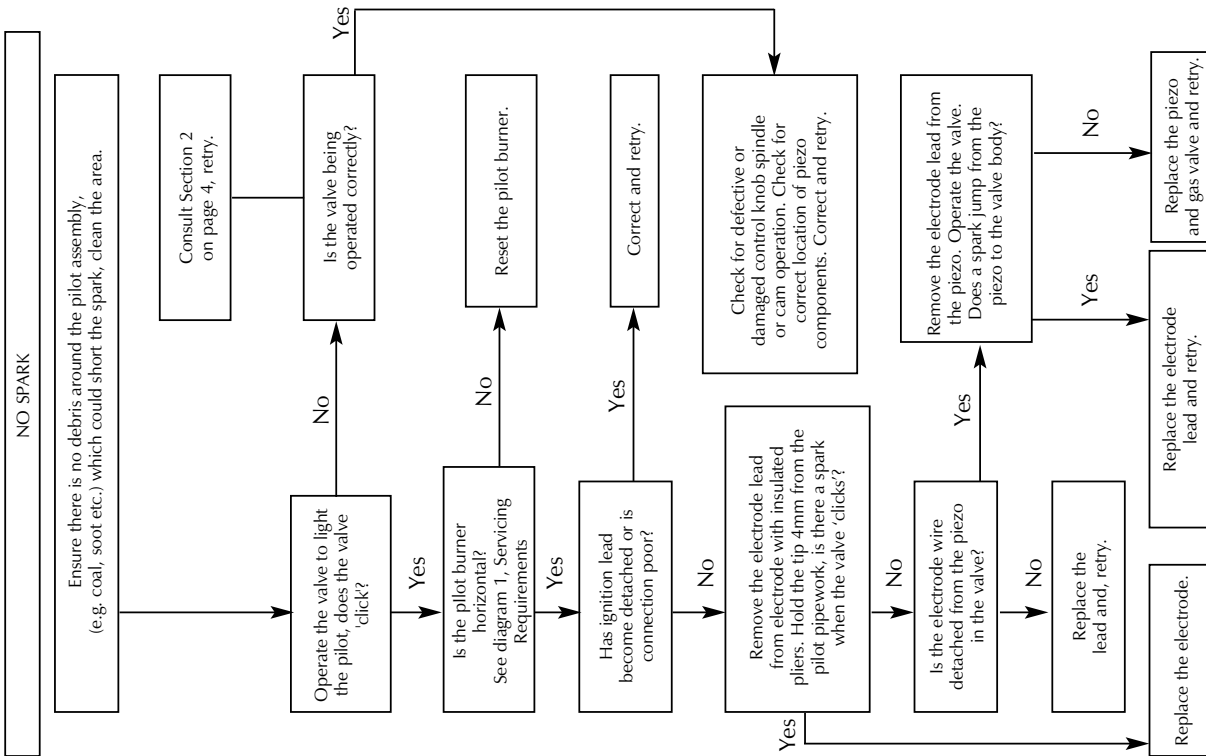
SERVICING INSTRUCTIONS

SERVICING/FAULT FINDING

FLAME FAILURE FUNCTIONAL CHECK



IGNITION FUNCTIONAL CHECK 2



SERVICING INSTRUCTIONS

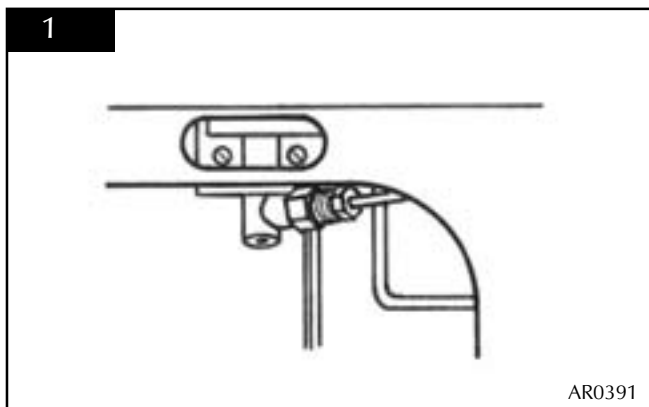
REPLACING PARTS

1. GENERAL

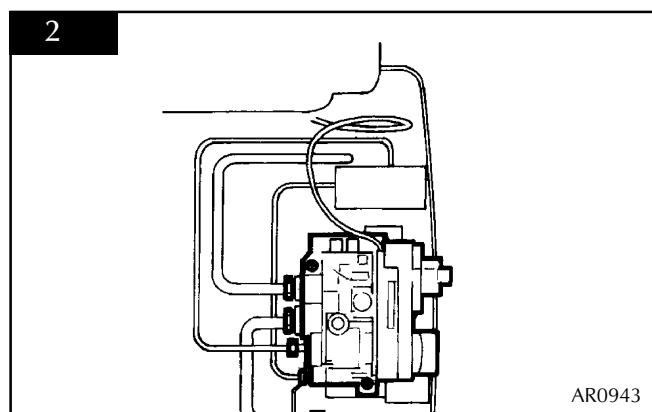
- 1.1 All main components can be replaced without removing the stove from its installation. **IT IS ESSENTIAL THAT THE GAS SUPPLY TO THE STOVE IS TURNED OFF AT THE ISOLATION DEVICE BEFORE PROCEEDING FURTHER.**

2. BURNER UNIT REMOVAL

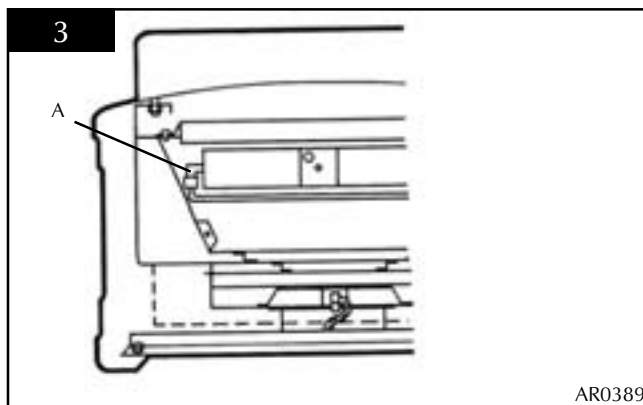
- 2.1 Turn the gas supply off at the isolation device. Ensure the unit is cool.
- Remove the door and place to one side. (4 nuts).
 - Carefully remove the ceramic fuel components to a safe place.
 - Unscrew pilot union nut on gas valve. See diagram 1.



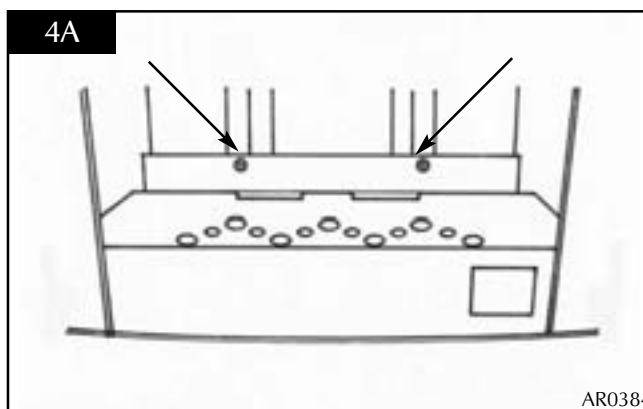
- 2.2
- Disconnect thermocouple from gas valve. See diagram 2.
 - Remove ignition lead from electrode. (Cut cable tie to ignition lead if required).



- 2.3
- Loosen main injector nut on airbox and disconnect from injector, see diagram 3, A.



- 2.4
- Remove the 2 screws attaching burner to back of unit, see diagrams 4A & 4B.
 - Carefully withdraw burner unit upwards and tilt to remove the burner through door opening.
 - Remove the 2 screws holding the heat shield in place.



- Replace in reverse order checking all joints for leaks.

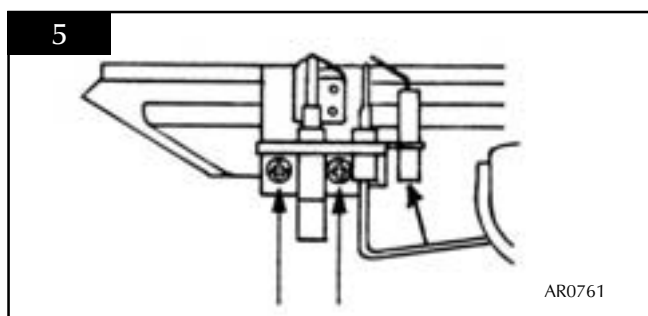
SERVICING INSTRUCTIONS

REPLACING PARTS

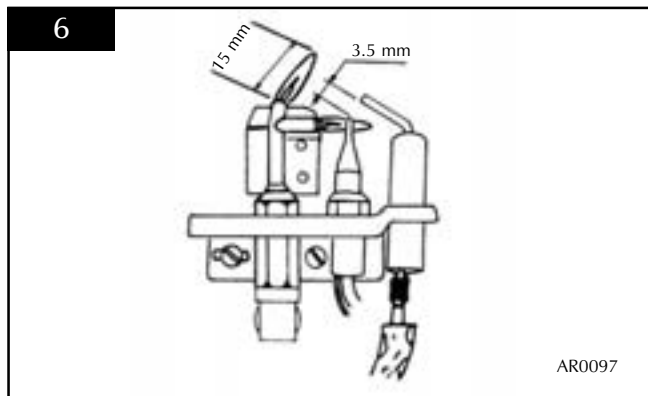
3. PILOT UNIT

Do not tamper with the Flue Sure system. Use only genuine Gazco replacement parts when servicing the system.

- 3.1
- Remove the burner module as described in Servicing Section 2 above
 - Carefully cut the cable ties holding the thermocouple to the pilot pipe
 - Remove the HT lead from the electrode
 - Undo the two retaining screws and remove the pilot, Diagram 5



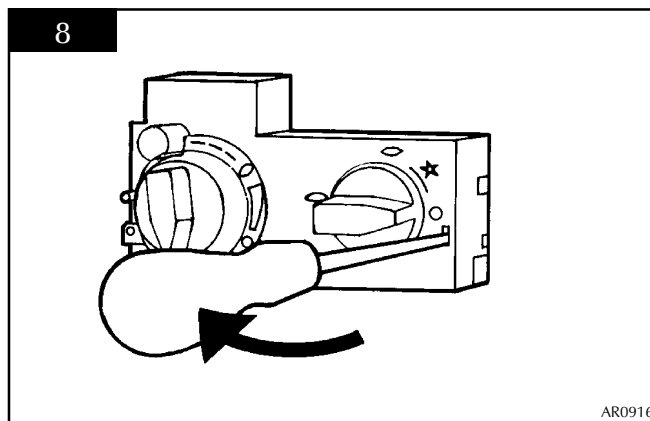
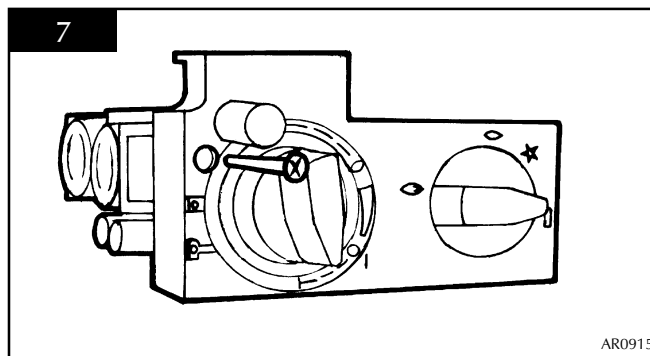
- 3.2
- When replacing the pilot ensure the thermocouple follows its original route, i.e. along the pilot pipe.
- Attach the thermocouple to the pipe with new cable ties
- 3.3
- Set the spark gap, Diagram 6



4. IGNITION LEAD AND PIEZO

- 4.1
- Gain access to the back of the pilot assembly, (see Section 2)
 - Disconnect the ignition lead from the electrode
- 4.2
- Undo the single screw that secures the left-hand side of the control cover, Diagram 7
- To release the right-hand side of the control cover:
- Insert the narrow blade screwdriver into the slot shown in diagram 9
 - Lever it gently and pull from the right-hand side at the same time to remove the cover. There is a small cylindrical metal spacer inside the cover. This must be kept and replaced on the fixing screw during re-assembly.
 - Disconnect the other end of the ignition lead from the valve body.

Note the existing route of the ignition lead.



- 4.3
- Replace with a new ignition lead following the same route as the old one
 - Replace the valve cover and the pilot assembly
- 4.4
- Check operation of the new ignition lead

SERVICING INSTRUCTIONS

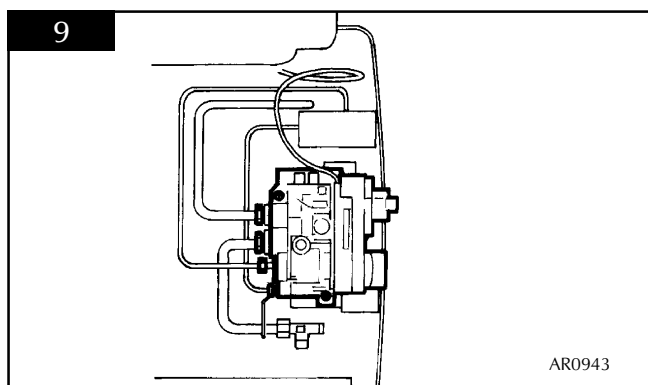
REPLACING PARTS

5. PIEZO

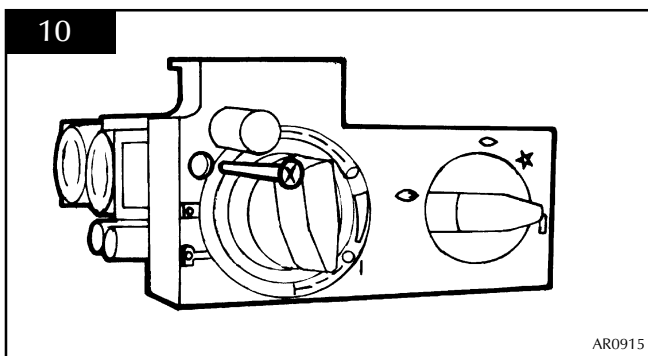
- 5.1 The piezo assembly used on this appliance is not serviceable and is unlikely to fail.
- 5.2 If a new piezo is required it will be necessary to change the gas valve. Refer to Section 6.

6. GAS VALVE

- 6.1
 - Turn off the gas supply at the isolation device
 - Disconnect the 2 x 8mm and 1 x 4mm gas pipe fittings at the back of the gas valve
 - Disconnect the thermocouple, Diagram 9

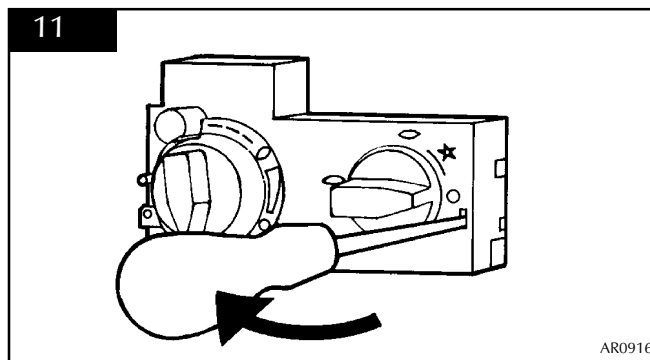


- Undo the single screw that secures the left-hand side of the control cover, Diagram 10



- 6.2 To release the right-hand side of the control cover:

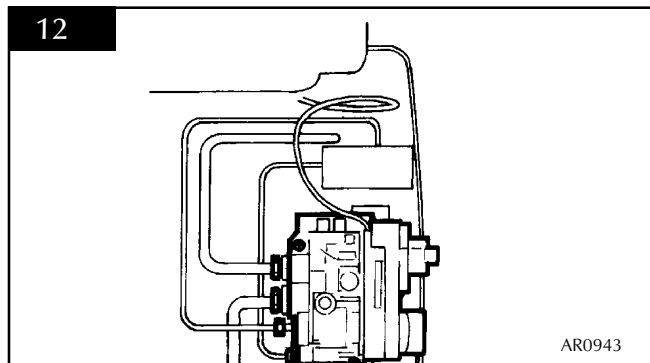
- Insert the narrow blade screwdriver into the slot shown in diagram 11
- Lever it gently and pull from the right-hand side at the same time to remove the cover. There is a small cylindrical metal spacer inside the cover. This must be kept and replaced on the fixing screw during re-assembly.



- 6.3
 - Disconnect the ignition lead from the gas valve.
 - Undo the two bolts securing the gas valve to the stove and remove the valve
- 6.4
 - Replace in reverse order.
 - Check all joints for gas leaks.
 - Check operation of the thermocouple and ignition lead.

7. MAGNETIC SAFETY VALVE

- 7.1
 - Turn off the gas supply at the isolation device
 - Undo the thermocouple connection from the back of the gas valve
 - Pull the sensor leads clear and remove the interrupter block
 - Undo the magnetic valve-retaining nut from the back of the control valve
 - Gently tap out the magnetic valve and replace with a new unit
 - Replace the retaining nut and tighten, Diagram 12



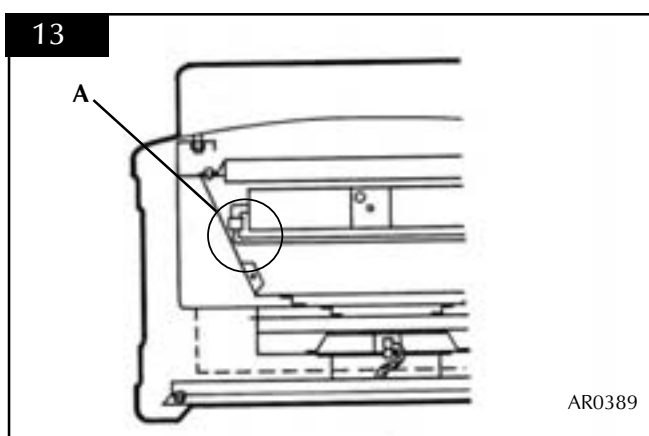
SERVICING INSTRUCTIONS

REPLACING PARTS

- 7.2
- Reassemble the interrupter block and leads
 - Secure the thermocouple connection at the rear of the gas control (Do not overtighten)
 - Turn on the gas supply
 - Check the entire pipework and valve joints for any leaks

8. MAIN INJECTOR

- 8.1
- Turn off the gas supply at the isolation device
 - Locate the main injector on the left-hand side of the airbox
 - Undo the compression nut and pull the pipe clear of the injector body, Diagram 13, arrow A.

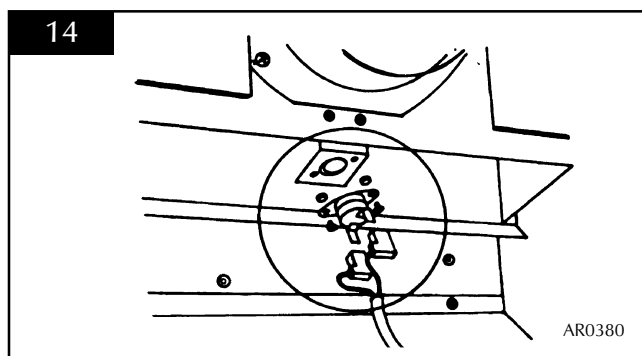


- 8.2
- Unscrew the injector until it is fully removed
 - Install the correct replacement injector
 - Reassemble and turn the gas supply on
 - Check for leaks

9. GAZCO FLUE SURE SYSTEM

If the stove is installed in a restrictive location, you may have to remove the stove from its location.

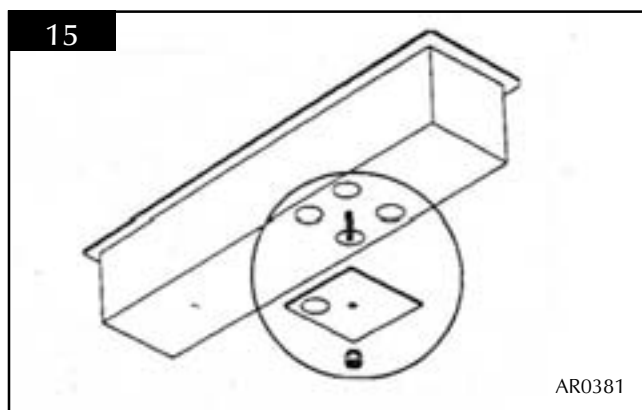
- 9.1
- Locate the sensor in the draught diverter opening
 - Gently pull the two wires off the terminals
 - Undo the two taptite screws and remove the sensor and the two plastic spacers, Diagram 14



- Refit a new sensor ensuring the spacers are located between the sensor and the bracket
 - Replace the two leads
- 9.2
- If you found you had to remove the stove, ensure all disturbed gas joints are checked for gas soundness when reinstalled:
- Repeat the flue clearance test as detailed in the Commissioning Section.

10. PRIMARY AERATION PLATE

- 10.1
- Turn the gas supply off at the isolation device
 - Locate the aeration plate on the underside of the airbox and remove the Nyloc nut, see diagram 15.



- 10.2
- Remove the plate and replace with the correct size
 - Make sure that the hole(s) in the plate align correctly with the holes in the underside of the airbox and replace the Nyloc nut.

SERVICING INSTRUCTIONS

REPLACING PARTS

11. CHANGING BETWEEN GAS TYPES

11.1 In order to change between gas types you need to change the following items.

- Pilot Unit
- Control Valve
- Main Injector
- Aeration Plate (if required)
- Databadge

The relevant parts can be ordered as a conventional kit from Yeoman. Always quote the stove type and serial number when ordering spare parts.

**** NOTE: THE CONTROL VALVE IS FACTORY PRESET FOR CORRECT GAS TYPE AND MODEL. A NEW UNIT WILL NEED TO BE ORDERED WHEN CHANGING BETWEEN GAS TYPES.**

12. CONTROL UPGRADE

See *Installation*, section 1.

13. SHORT SPARES LIST

Components	NG		LPG	
	G20	G30	G31	
	20mbar	29mbar	37mbar	
Main Injector	IN0001	IN0003		
Aeration Plate	ME1094		ME1071	
Pilot Unit Injector	P10036	P10037		
Burner Skin	CEO114			
Thermocouple	P10010			
Magnetic Unit	GC0092			
Electrode	P10053			
Pilot Gasket	P10052			
Gas Valve	GC0088K*			
Ignition Lead	GC0090			
Rear Panel	CE0135			
Flame Baffle	CE0118			
Front Coal	CE0122			
Coal Set	CE0127			
TTB	EL001			
TTB Lead	EL0064			
Interruptor Block	GC0026			
Upgrade Kit Std	YM-8455			
Thermostat/Timer Kit	YM-8456			

*Set for Appliance

SERVICE RECORDS

1ST SERVICE

Date of Service:.....
Next Service Due:.....
Signed:.....
Dealer's Stamp/CORGI Registration Number

2ND SERVICE

Date of Service:.....
Next Service Due:.....
Signed:.....
Dealer's Stamp/CORGI Registration Number

3RD SERVICE

Date of Service:.....
Next Service Due:.....
Signed:.....
Dealer's Stamp/CORGI Registration Number

4TH SERVICE

Date of Service:.....
Next Service Due:.....
Signed:.....
Dealer's Stamp/CORGI Registration Number

5TH SERVICE

Date of Service:.....
Next Service Due:.....
Signed:.....
Dealer's Stamp/CORGI Registration Number

6TH SERVICE

Date of Service:.....
Next Service Due:.....
Signed:.....
Dealer's Stamp/CORGI Registration Number

7TH SERVICE

Date of Service:.....
Next Service Due:.....
Signed:.....
Dealer's Stamp/CORGI Registration Number

8TH SERVICE

Date of Service:.....
Next Due:.....
Signed:.....
Dealer's Stamp/CORGI Registration Number

9TH SERVICE

Date of Service:.....
Next Due:.....
Signed:.....
Dealer's Stamp/CORGI Registration Number

10TH SERVICE

Date of Service:.....
Next Service Due:.....
Signed:.....
Dealer's Stamp/CORGI Registration Number



A division of Stovax Ltd

Falcon Road, Sowton Industrial Estate, Exeter, Devon, England EX2 7LF

Tel: (01392) 474500 Fax: (01392) 219932

E-mail: yeoman@stovax.com www.yeoman-stoves.co.uk